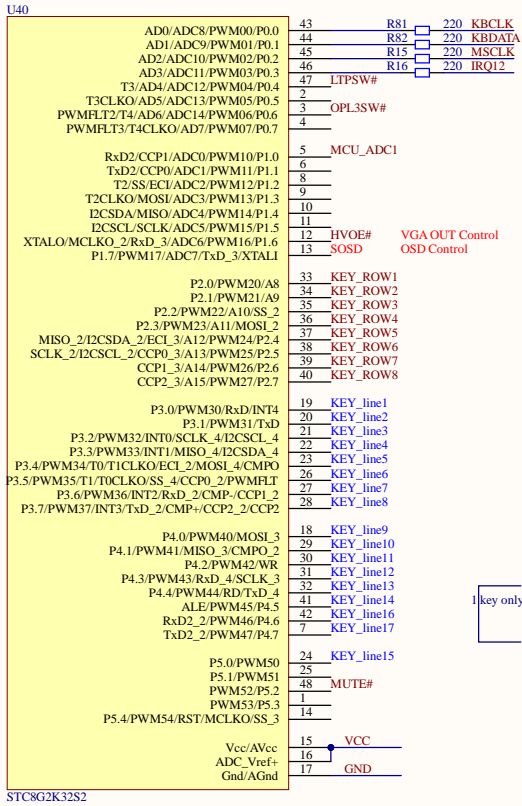
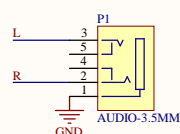
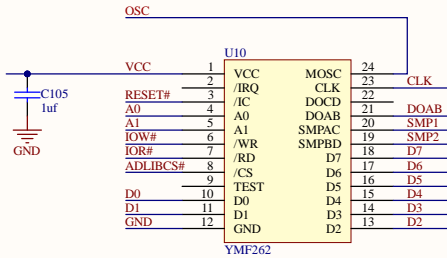
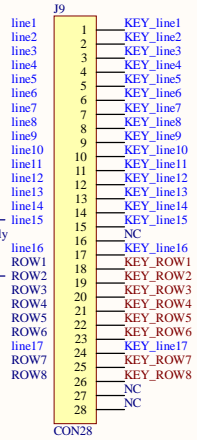


DM&P
M6117C(D)

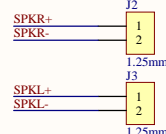
Title		
Size	Number	Revision
A3		
Date:	3/29/2024	Sheet of
File:	C:\Users\JP1_CPU\SchDoc	Drawn By:



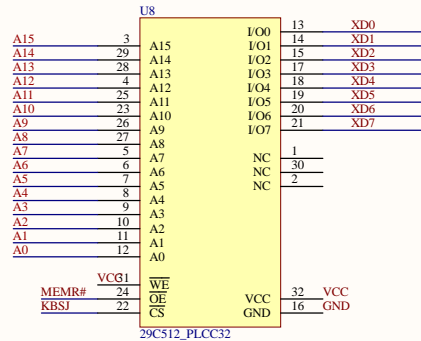
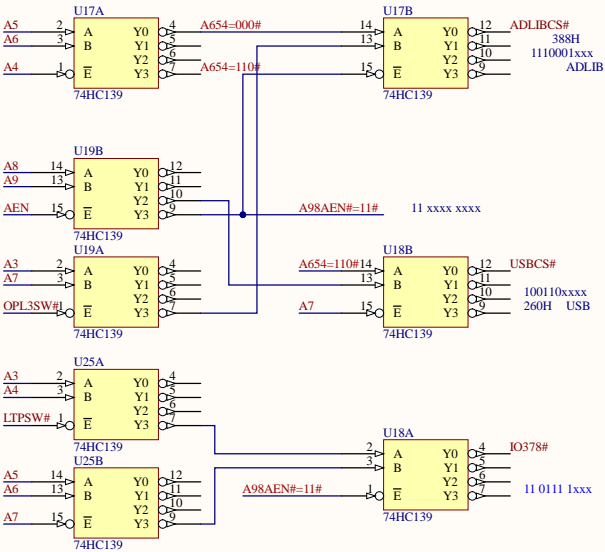
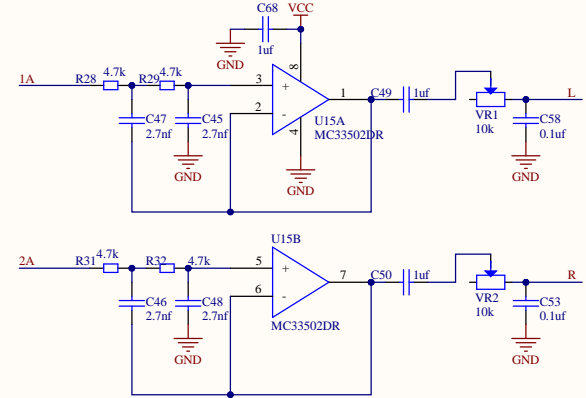
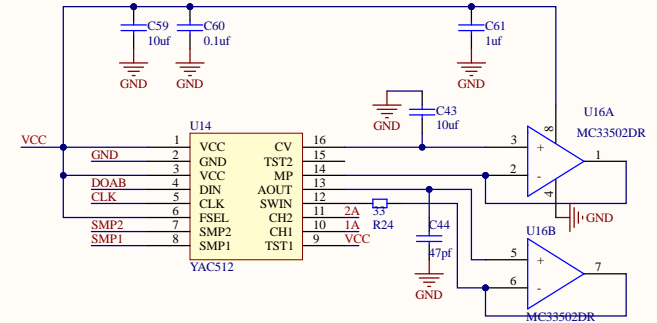
Keyboard



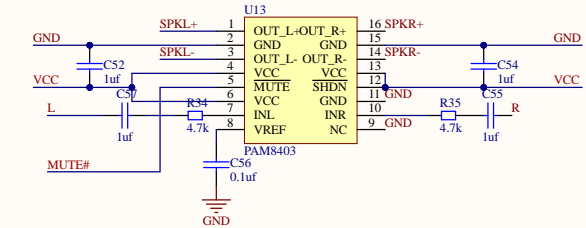
Line OUT



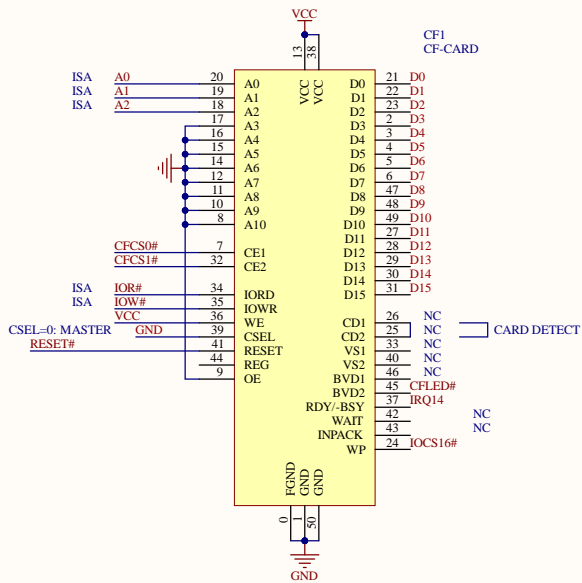
Speaker



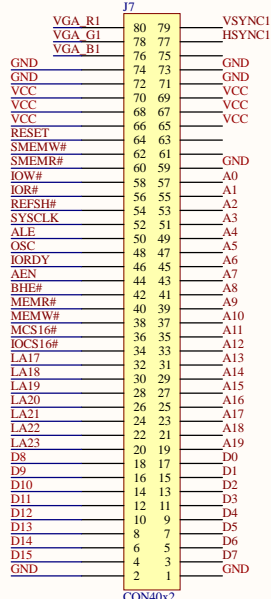
BIOS



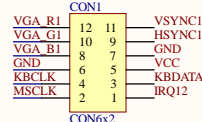
Title		
Size	Number	Revision
A3		
Date:	3/29/2024	Sheet of
File:	C:\Users\JP2_KB_AUDIO\SchDoc	Drawn By:



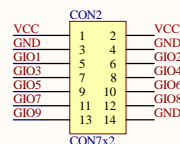
CF Card



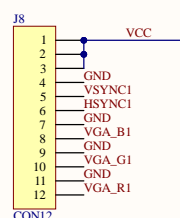
ISA_Video



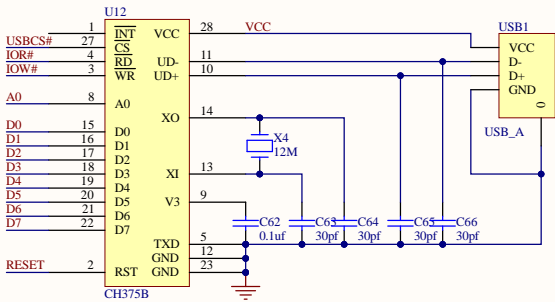
PS2/VGA OUT



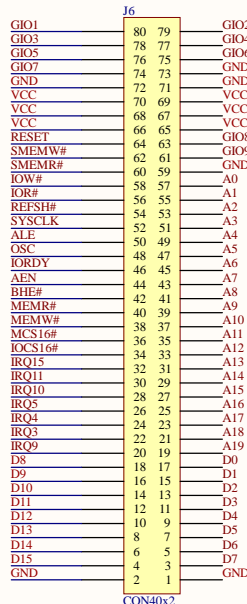
GPIO



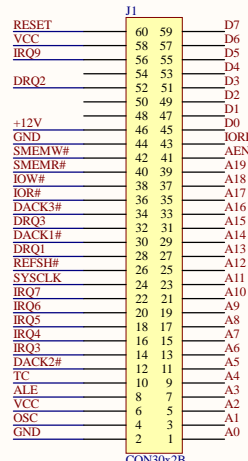
LCD_VGA



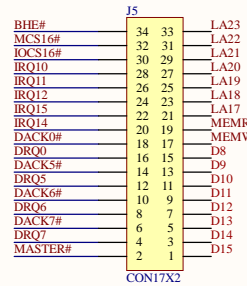
USB



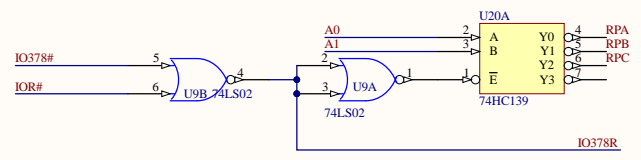
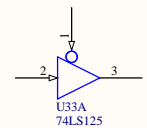
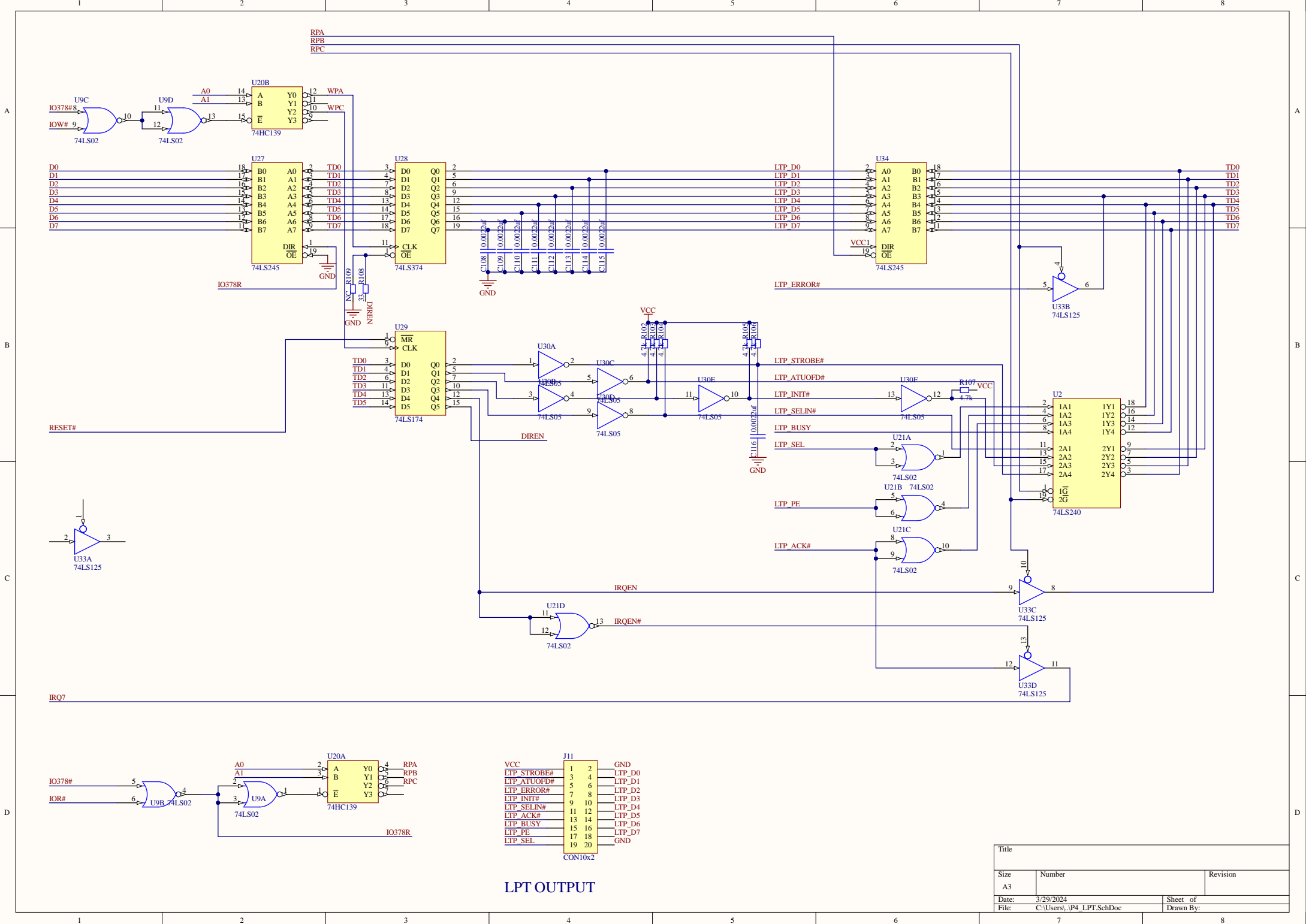
ISA_16BIT-SLOT & GPIO



ISA



Title		
Size	Number	Revision
A3		
Date:	3/29/2024	Sheet of
File:	C:\Users\IP3_IO.SchDoc	Drawn By:



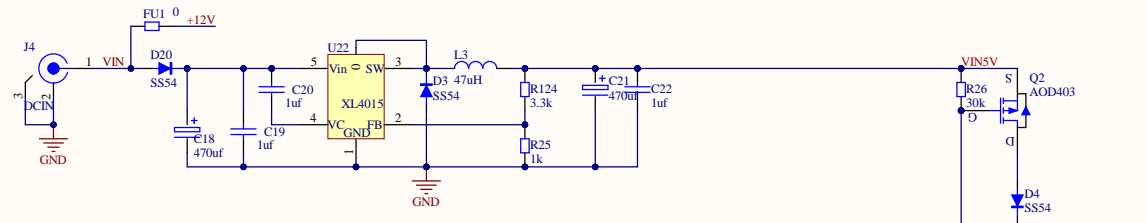
J11

VCC	1	2	GND
LTP_STROBE#	3	4	LTP_D0
LTP_ATUOFD#	5	6	LTP_D1
LTP_ERROR#	7	8	LTP_D2
LTP_INT#	9	10	LTP_D3
LTP_SELIN#	11	12	LTP_D4
LTP_ACK#	13	14	LTP_D5
LTP_BUSY	15	16	LTP_D6
LTP_PE	17	18	LTP_D7
LTP_SEL	19	20	GND

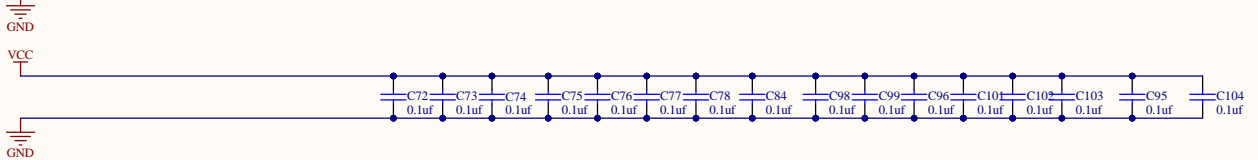
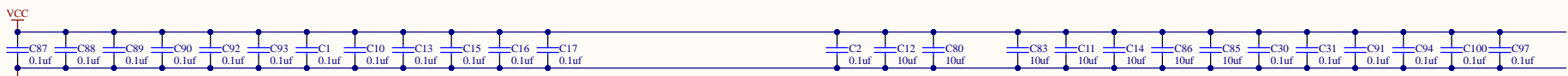
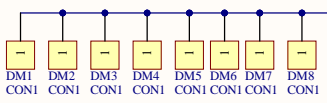
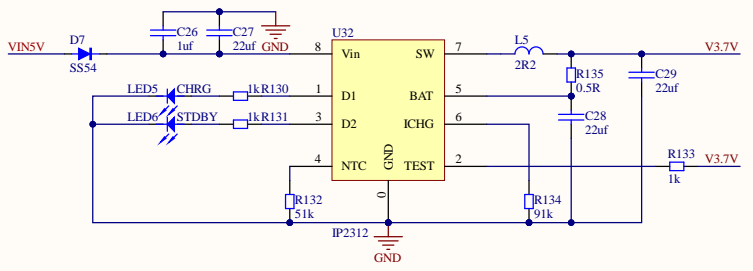
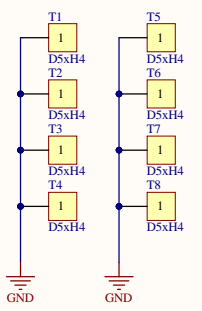
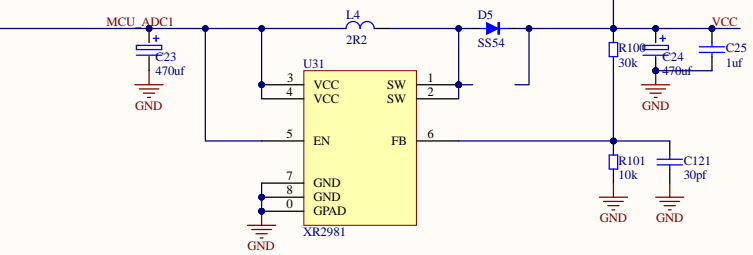
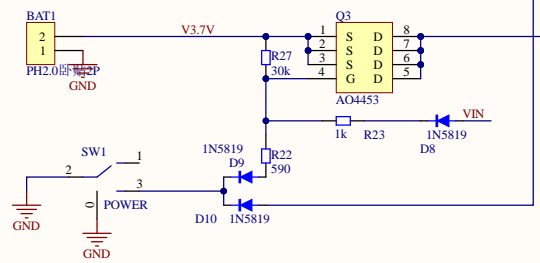
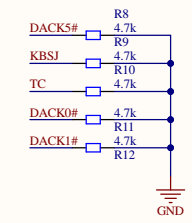
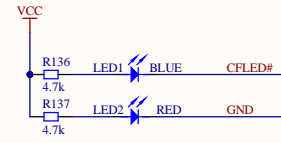
CON10x2

LPT OUTPUT

Title		
Size	Number	Revision
A3		
Date:	3/29/2024	Sheet of
File:	C:\Users\...\IP4_LPT.SchDoc	Drawn By:



R46	4.7k	KBCLK
R47	4.7k	KBDATA
R48	4.7k	MSCLK
R49	4.7k	IRQ12
R50	4.7k	AEN
R51	4.7k	IOCHCK
R52	4.7k	IORDY
R53	4.7k	OWS#
R54	4.7k	REFSH#
R55	4.7k	MCS16#
R56	4.7k	IOCS16#
R57	4.7k	MASTER#
R58	4.7k	SMEMW#
R59	4.7k	SMEMR#
R60	4.7k	IOW#
R61	4.7k	IOR#
R62	4.7k	MEMW#
R63	4.7k	MEMR#
R64	4.7k	DO
R65	4.7k	D1
R66	4.7k	D2
R67	4.7k	D3
R68	4.7k	D4
R69	4.7k	D5
R70	4.7k	D6
R45	4.7k	D7
R44	4.7k	RESET



Title		
Size	Number	Revision
A3		
Date:	3/29/2024	Sheet of
File:	C:\Users\IP5_POWER\SchDoc	Drawn By: