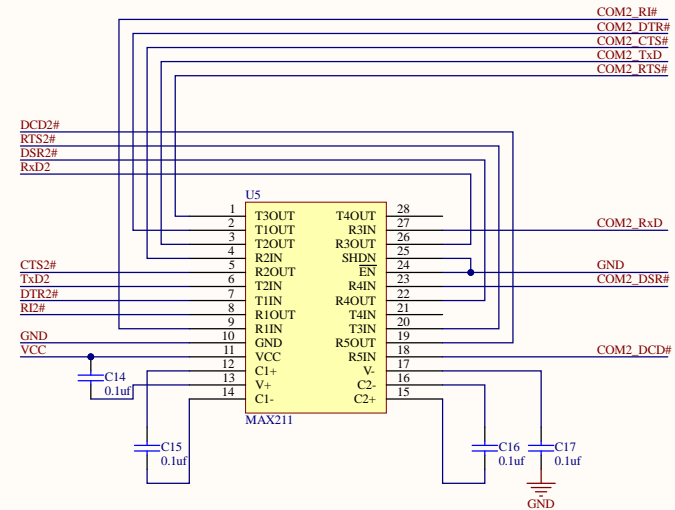
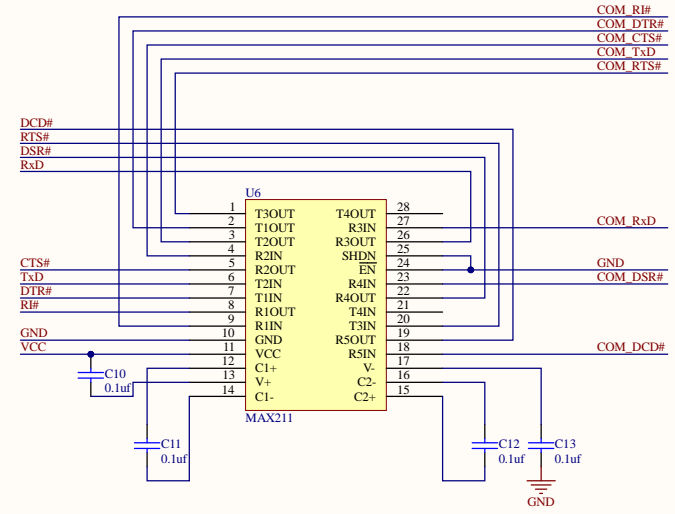
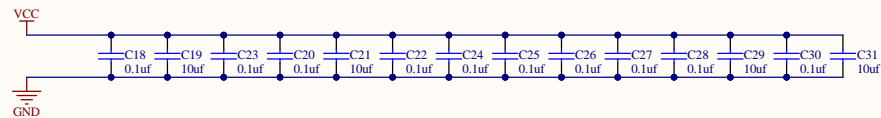
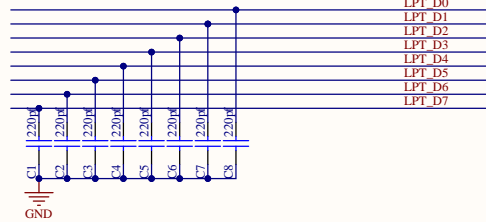
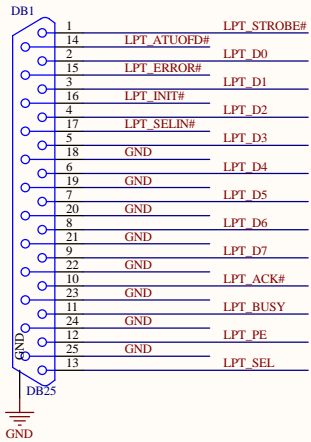
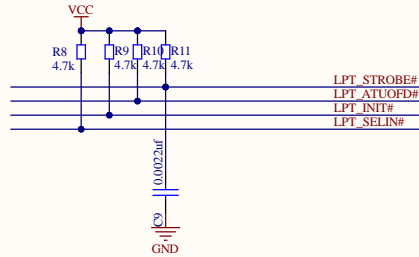
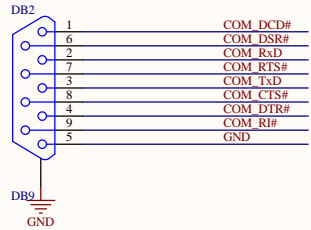
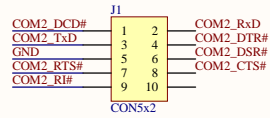


Title		
Size	Number	Revision
A3		
Date:	1/06/2024	Sheet of
File:	C:\Users\... \Sheet01.SchDoc	Drawn By:



Title		
Size	Number	Revision
A3		
Date:	1/06/2024	Sheet of
File:	C:\Users\...\Sheet02.SchDoc	Drawn By:

